

A black and white photograph of a woman in a white leotard performing aerial silk. She is suspended in the air, holding a long, white fabric that is attached to a vertical pole. The background shows a server room with racks of equipment. The overall aesthetic is clean and modern.

PCE

Connection
to the future

Wall mounting, thermoplastic
insulated distribution boxes

DELTA▲

DELTA[▲] WALL MOUNTING, THERMOPLASTIC INSULATED DISTRIBUTION BOXES

Power distribution boxes must
guarantee **organization, safety & flexibility.**

DELTA[▲] series

includes the complete insulated thermoplastic, wall mounting distribution boxes from PCE. These are extremely robust designed, are multi-serial compatible, practice-orientated thought-out and available in almost every conceivable configuration.

They are designed to fulfill their main task to 100 % - the steering and distribution of energy in their correct paths.

In order to ensure functionality and quality, we have taken the entire task in our own hands. From the grain, to the tool up, until the ready wired distribution box.

That is why we can state with a clear conscience that every DELTA series product is a true Austrian quality product. We highly recommend it for just this reason.



MADE IN AUSTRIA

100 %

It's all about getting there.

Due to its modular system principle, DELTA series distribution boxes guarantee that energy arrives exactly there and then, just when you need it. It doesn't matter how many cables, CEE sockets and schuko sockets are required or how many different configurations are necessary:

DELTA series wall mounting distribution boxes ensure for 100 % organization.

Nothing works without security.

Function is not enough, security has the highest priority. Due to their robust construction method distribution boxes of the series DELTA guarantees highest security. And no matter how much energy must be distributed:

Distribution boxes of the series DELTA guarantee 100 % safety.

Always well connected.

Times and demands, requirements as well as expectations are changing. Due to their proportions principle, distribution boxes of the series DELTA guarantee that every conceivable combination are possible with regard to capacity, line volumes or special spatial requirements. And no matter how many distribution boxes or sizes are required:

DELTA guarantees 100 % flexibility.

DELTA WALL MOUNTING, THERMOPLASTIC INSULATED DISTRIBUTION BOXES



DELTA INFORMATION

Distribution boxes are suitable for **in- and outdoor areas**. The boxes are available in **different sizes and designs**.

Protection degree : IP44, IP54 and IP66/67

The massive and high-quality **enclosure made from PC/ABS** tested and certified according to IEC/EN 62208* provides a wide range of **positive features**. Such as high impact resistance and notched bar impact strength, high thermal stability, dielectric strength, weather, UV and wear resistance, good insulation properties, and resistance against many chemicals. The material used is free from cadmium, red phosphor and halogens (fluorine, chlorine, bromine, iodine and astatine).

DELTA series distribution boxes are well suited for all applications. Especially in those areas that depend on high-quality, a robust enclosure and total reliability, such as in industry, trade, workshops, agriculture, household, public buildings, leisure, sport, marinas, camping, etc.

DELTA series products are combinable and can be **arranged in horizontal or vertical** directions. STROBL and ANIF series are especially recommended here. Using this feature, it is possible to achieve individual combination groups of any size with single boxes. In few words, the diversity of variants has almost no limits.

Adjusted to your needs we put together individually tailored and **optimally equipped wall distribution boxes**.

*) IEC/EN 62208 „Empty enclosures for low-voltage switchgear and controlgear assemblies“ for use in switchgear and controlgear assemblies according to standards of the series EN 60439, EN 61439 with a max. rated voltage of 1000V AC, at max. frequencies of 1000Hz or 1500V DC, for general use indoors or for outdoor installation.

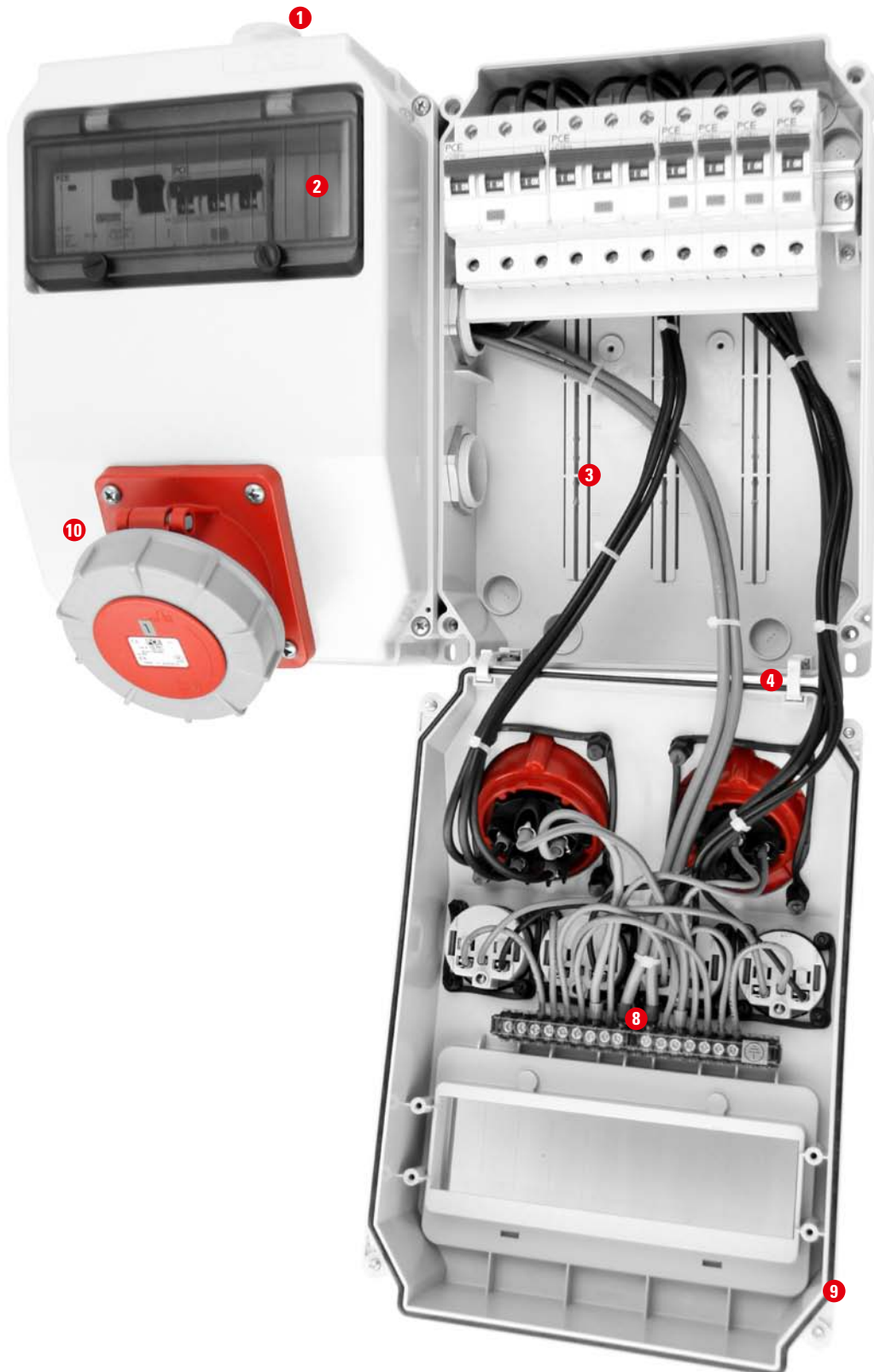


DELTA[▲] SIZE OVERVIEW





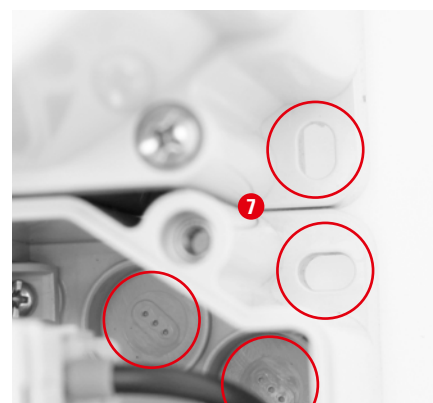
DELTA[▲] DETAIL



- 1** Cable entries up to max. M63, preferably from the top or bottom.
- 2** PCE hinged windows from 2 to 18 modules can be used in IP54 or IP66/67. The transparent protective, upward opening, cover of the window can be locked and sealed.
- 3** A variable groove shaped rail retention system on the inside floor allows optimum and individual positioning of the fittings, assembly plates, etc.
- 4** The cover and bottom part of the enclosure is connected by a flexible hinge, available in 2 different lengths.
- 5** The enclosures can be optimally adapted to each other thanks to the straight housing walls.
- 6** All external screws are made from stainless steel to resist in especially demanding operating conditions.
- 7** Wall mounting is possible in- or outside the protective area.
- 8** The earthing and neutral conductor connections are mounted in the cover of the box on the tried and tested Vario-Connector-System.
- 9** Use of high-quality foamed* polyurethane seals.
- 10** Any type of switchgears, plug devices, such as CEE sockets 16A 3p to 125A 5p and schuko sockets (Austrian/German, Belgian/French, Danish, British or Swiss standards) can be used for assembling.
- 11** Metric thread insert made of brass**.

*) inserted in series Lech and Molln

***) with series Lech directly in the plastic



LECH

HxWxD = 230x130x130 mm

Designs:

Housing	Dimensions HxWxD	Characteristics
Lech	230x130x130 mm	sloping cover, 1 window 6 modules

LECH series

6 modules under clear window IP66/67

1xM25 on the top, open



2xM25 on the bottom, pre-embossed

housing protection IP66/67

LOFER

HxWxD = 255x204x140 mm

Designs:

Housing	Dimensions HxWxD	Characteristics
Lofer	255x204x140 mm	sloping cover, 1 window 9 modules
Lofer4	255x204x114 mm	straight cover, without window or 1 window 9 modules
Murau	255x204x114 mm	straight cover, 1 window 4 modules
Schwaz	255x204x114 mm	straight cover, without window (equipment: 2xCEE and 4xSSD)

LOFER series

9 modules under clear window IP66/67



sloping cover version

housing protection IP66/67

LOFER4

HxWxD = 255x204x114 mm

Designs:

Housing	Housing HxWxD	Characteristics
Lofer	255x204x140 mm	sloping cover, 1 window 9 modules
Lofer4	255x204x114 mm	straight cover, without window or 1 window 9 modules
Murau	255x204x114 mm	straight cover, 1 window 4 modules
Schwaz	255x204x114 mm	straight cover, without window (equipment: 2xCEE and 4xSSD)

LOFER4 series

9 modules under clear window
IP54 (optional IP66/67)



housing protection IP54
(optional IP66/67)



straight cover version

housing protection IP66/67

MURAU AND SCHWAZ

HxWxD = 255x204x114 mm

Designs:

Housing	Dimensions HxWxD	Characteristics
Lofer	255x204x140 mm	sloping cover, 1 window 9 modules
Lofer4	255x204x114 mm	straight cover, without window or 1 window 9 modules
Murau	255x204x114 mm	straight cover, 1 window 4 modules
Schwaz	255x204x114 mm	straight cover, without window (equipment: 2xCEE and 4xSSD)

MURAU series

4 modules under clear window IP54
(optional IP66/67)



housing protection IP54
(optional IP66/67)



cover view

SCHWAZ series

housing protection IP66/67



equipment 2xCEE and 4xSSD



cover view

ANIF

HxWxD = 320x222x140 mm

Designs:

Housing	Dimensions HxWxD	Characteristics
Anif	320x222x140 mm	sloping cover, 1 window 10 modules
Anif7	320x222x140 mm	straight or sloping cover, without window, 1 window 10 modules or 2 windows 10 modules
Anif4	320x222x114 mm	straight cover, without window, 1 window 10 modules or 2 windows 10 modules
Kals	320x222x140 mm	sloping cover, 2 windows 6 modules

ANIF series

10 modules under clear window IP66/67



sloping cover version

housing protection IP66/67

ANIF7

HxWxD = 320x222x140 mm

Designs:

Housing	Dimensions HxWxD	Characteristics
Anif	320x222x140 mm	sloping cover, 1 window 10 modules
Anif7	320x222x140 mm	straight or sloping cover, without window, 1 window 10 modules or 2 windows 10 modules
Anif4	320x222x114 mm	straight cover, without window, 1 window 10 modules or 2 windows 10 modules
Kals	320x222x140 mm	sloping cover, 2 windows 6 modules

ANIF7 series

10 modules under clear window IP54
(optional IP66/67)



straight cover version, 1 window



straight cover version, 2 windows

housing protection IP54
(optional IP66/67)

ANIF4

HxWxD = 320x222x114 mm

Designs:

Housing	Dimensions HxWxD	Characteristics
Anif	320x222x140 mm	sloping cover, 1 window 10 modules
Anif7	320x222x140 mm	straight or sloping cover, without window, 1 window 10 modules or 2 windows 10 modules
Anif4	320x222x114 mm	straight cover, without window, 1 window 10 modules or 2 windows 10 modules
Kals	320x222x140 mm	sloping cover, 2 windows 6 modules

ANIF4 series

10 modules under clear window IP54
(optional IP66/67)



housing protection IP54
(optional IP66/67)



straight cover version, 2 windows

KALS

HxWxD = 320x222x140 mm

Designs:

Housing	Dimensions HxWxD	Characteristics
Anif	320x222x140 mm	sloping cover, 1 window 10 modules
Anif7	320x222x140 mm	straight or sloping cover, without window, 1 window 10 modules or 2 windows 10 modules
Anif4	320x222x114 mm	straight cover, without window, 1 window 10 modules or 2 windows 10 modules
Kals	320x222x140 mm	sloping cover, 2 windows 6 modules

KALS series

2x6 modules under clear window IP66/67



housing protection IP66/67

sloping cover version,
2 windows vertical

STROBL

HxWxD = 520x222x140 mm

Designs:

Housing	Dimensions HxWxD	Characteristics
Strobl	520x222x140 mm	sloping cover, 2 windows 10 modules
Strobl7	520x222x140 mm	straight or sloping cover, without window, 1 window 10 modules or 2 windows 10 modules

STROBL series

10 modules under 2 clear windows IP54
(optional IP66/67)



housing protection IP54
(optional IP66/67)

sloping cover version

STROBL7

HxWxD = 520x222x140 mm

Designs:

Housing	Dimensions HxWxD	Characteristics
Strobl	520x222x140 mm	sloping cover, 2 windows 10 modules
Strobl7	520x222x140 mm	straight or sloping cover, without window, 1 window 10 modules or 2 windows 10 modules

STROBL7 series

housing protection IP66/67

10 modules under clear window IP54
(optional IP66/67)



straight cover version



sloping cover version

housing protection IP54
(optional IP66/67)

DELTA COMBI

STROBL and ANIF series



Combi with 2 Strobl7
HxWxD = 520x444x140 mm



Combi with 2 Anif7 and Strobl7
HxWxD = 820x222x140 mm

NEW

DELTA COMBI

STROBL and ANIF series



Combi with 2 Anif4
HxWxD = 640x222x114 mm



Combi with 2 Anif7
HxWxD = 640x222x140 mm

MOLLN

HxWxD = 397x330x165 mm

Designs:

Housing	Dimensions HxBxT	Characteristics
Molln	397x330x165 mm	sloping cover, 1 window 16 modules

MOLLN series

19 modules under clear window IP66/67

housing protection IP66/67

housing protection IP54



sloping cover version



cover view



SÖLDEN

HxWxD = 520x297x165 mm

Designs:

Housing	Dimensions HxBxT	Characteristics
Sölden	520x297x165 mm	straight and sloping cover, without window, 1 window 14 modules (IP54), 1 window 13 modules (IP66/67), 2 windows 14 modules (IP54) or 2 windows 13 modules (IP66/67)

SÖLDEN series

2x14 modules under clear window IP54
(optional 2x13 modules IP66/67)

housing protection IP54
(optional IP66/67)



sloping cover version

available second semester 2012

DELTA BOXES WITH TERMINALS AND CABLE GLANDS

Lofer4



Anif4/7



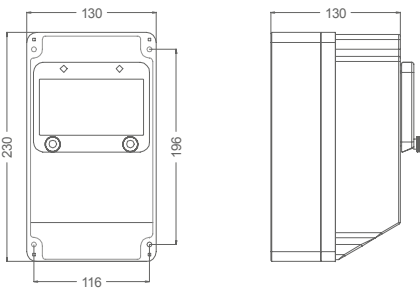
Strobl7



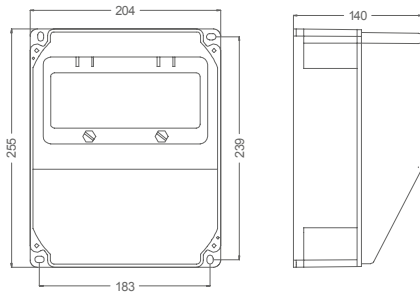
Sölden on request

Dimension sketches

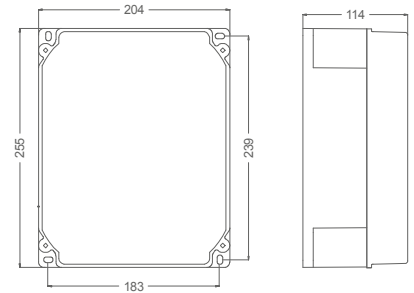
Lech 6 modules



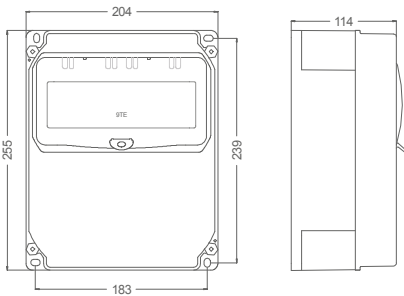
Lofer 9 modules



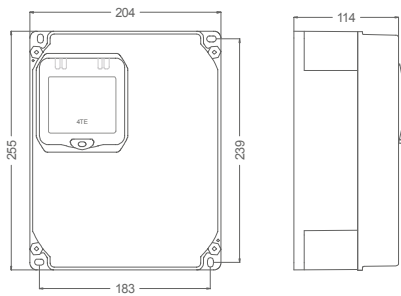
Lofer4 0 modules



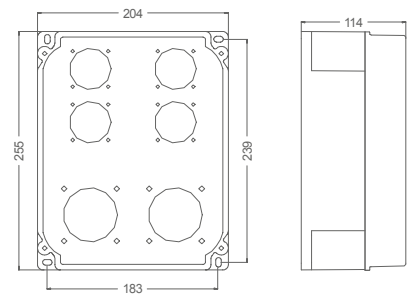
Lofer4 9 modules



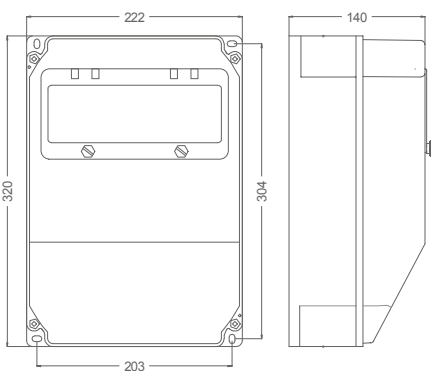
Murau 4 modules



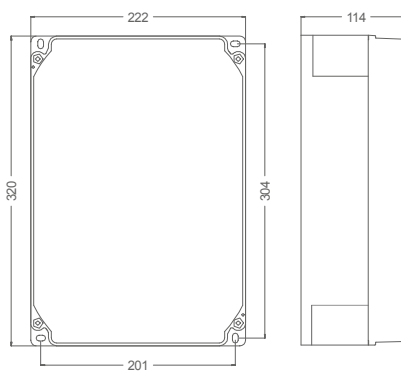
Schwarz 0 modules



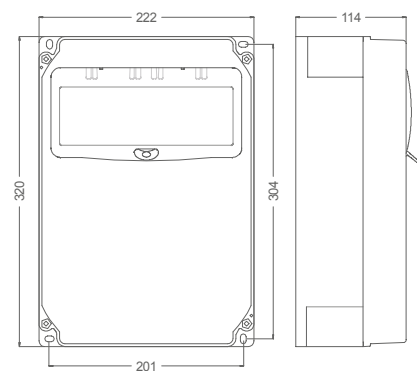
Anif 10 modules



Anif4 0 modules

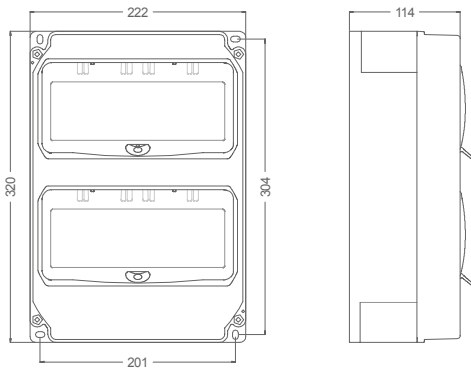


Anif4 10 modules

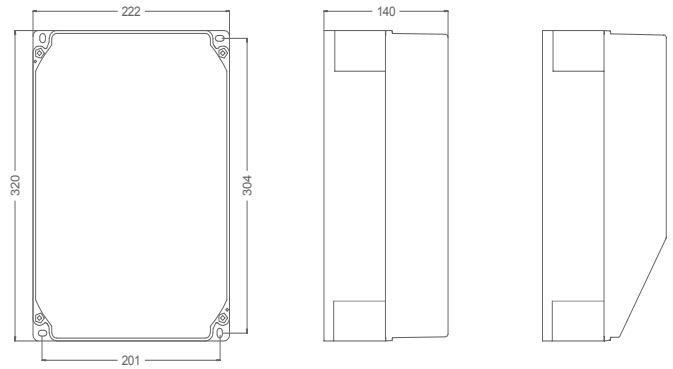


Dimension sketches

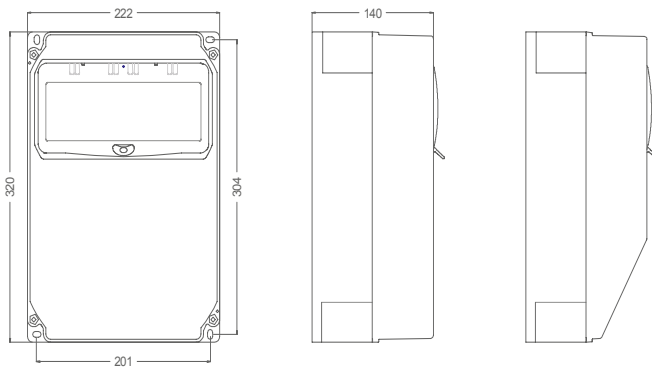
Anif4 2x10 modules



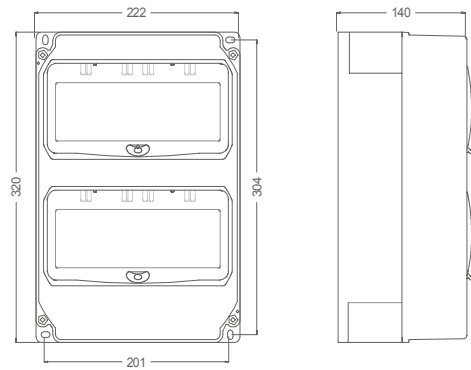
Anif7 0 modules



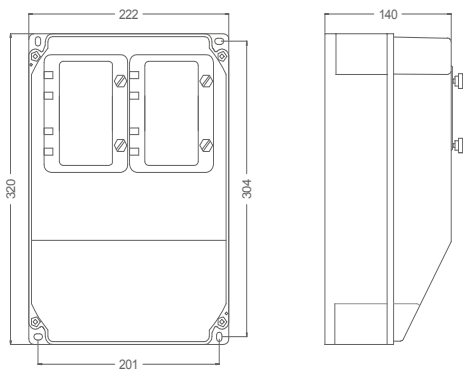
Anif7 1x10 modules



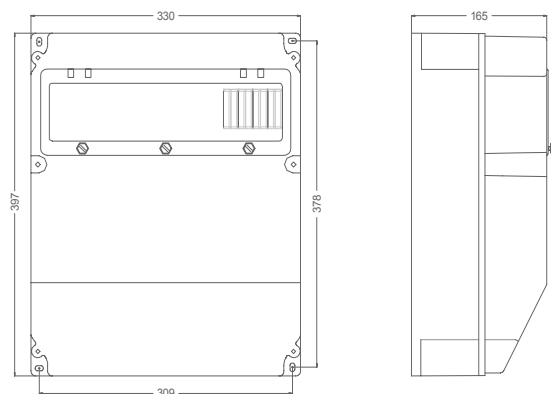
Anif7 2x10 modules



Kals 2x6 modules

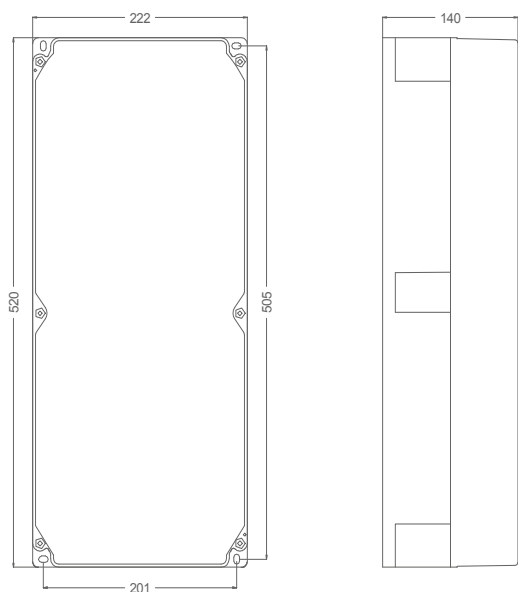


Molln 1x16 modules

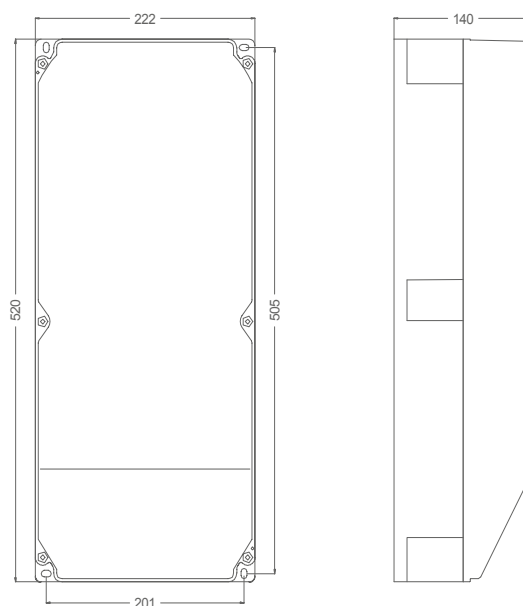


Dimension sketches

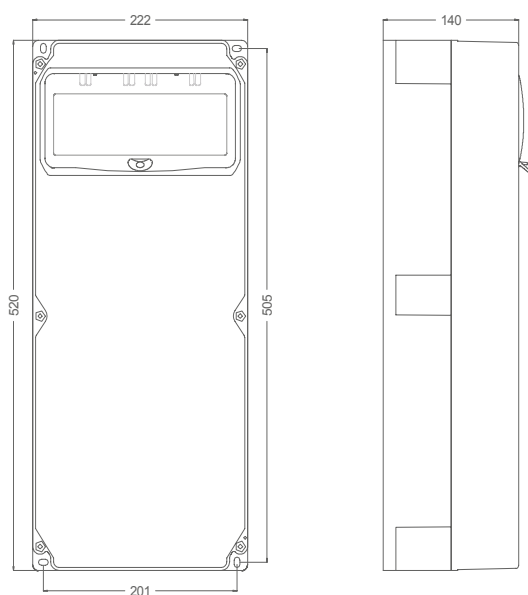
Strobl7 straight 0 modules



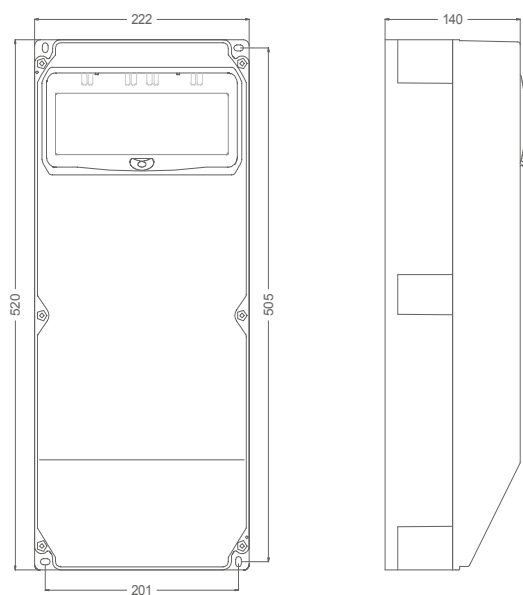
Strobl7 sloping 0 modules



Strobl7 straight 10 modules

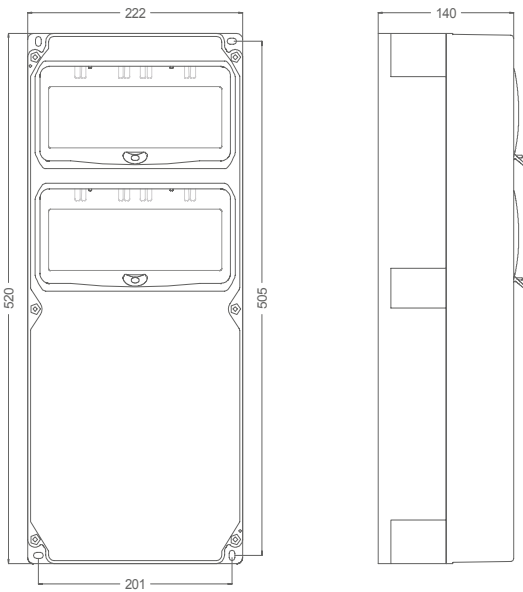


Strobl7 sloping 10 modules

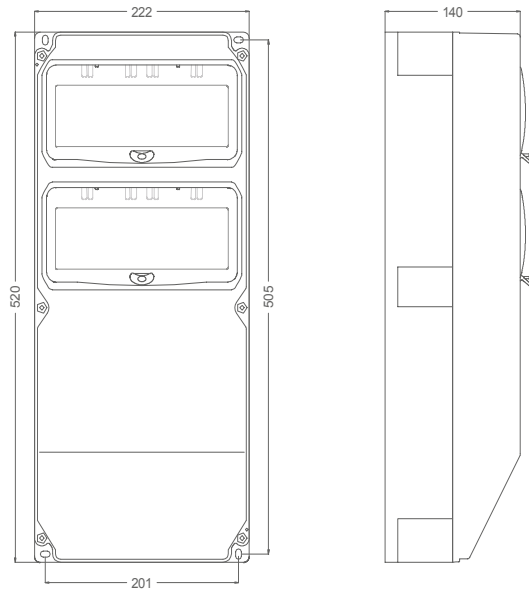


Dimension sketches

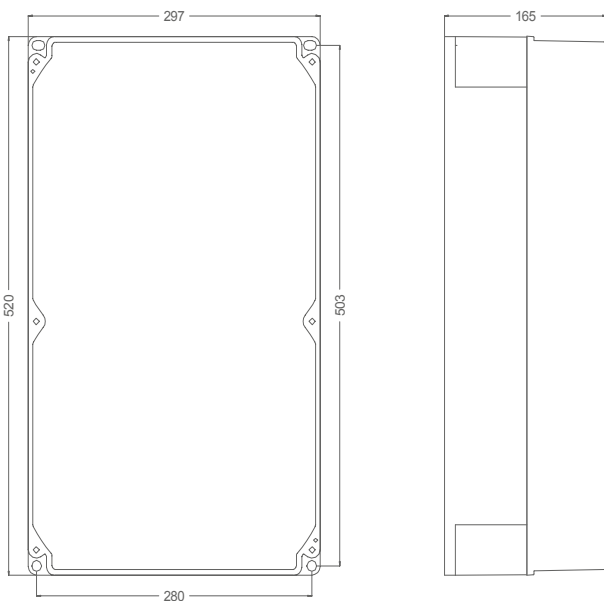
Strobl7 straight 2x10 modules



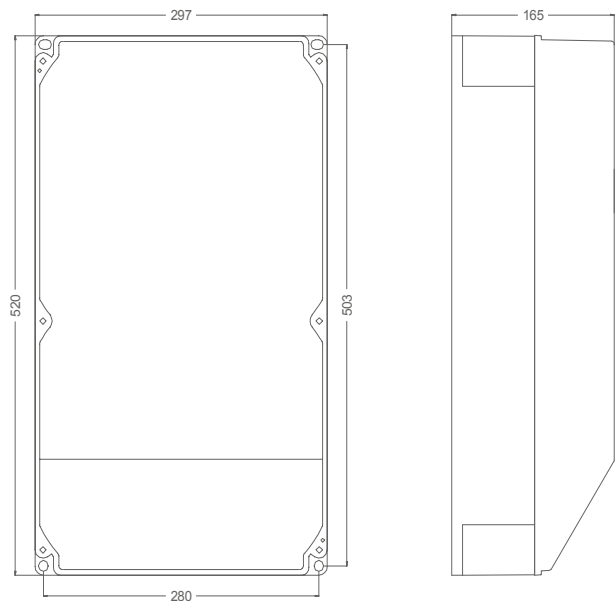
Strobl7 sloping 2x10 modules



Sölden straight 0 modules

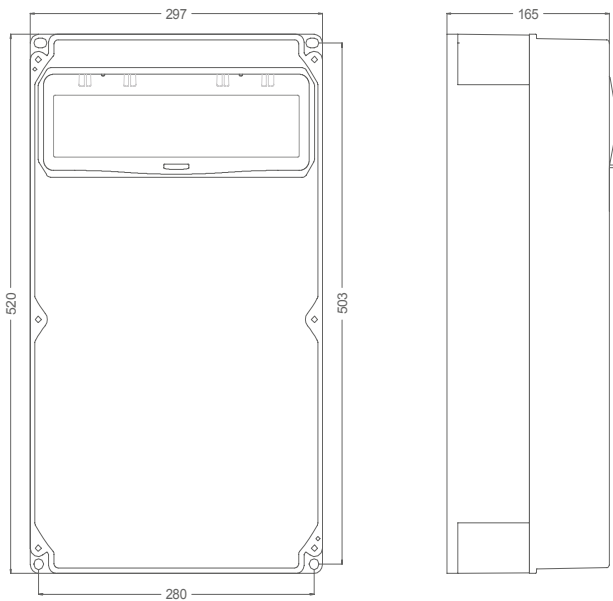


Sölden sloping 0 modules

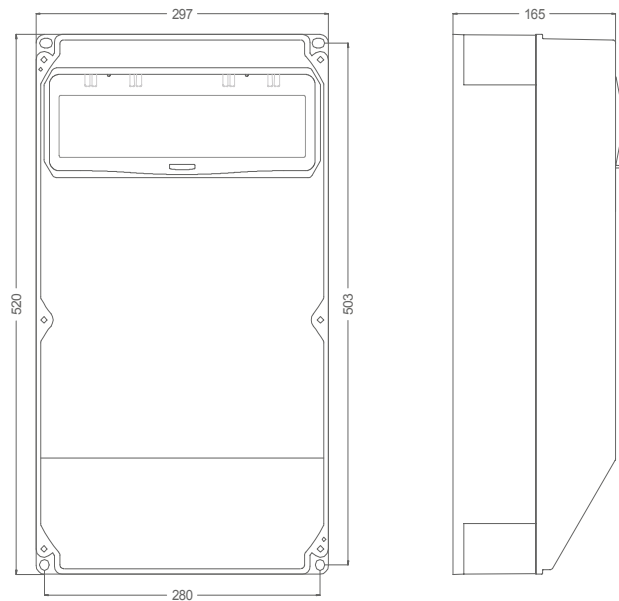


Dimension sketches

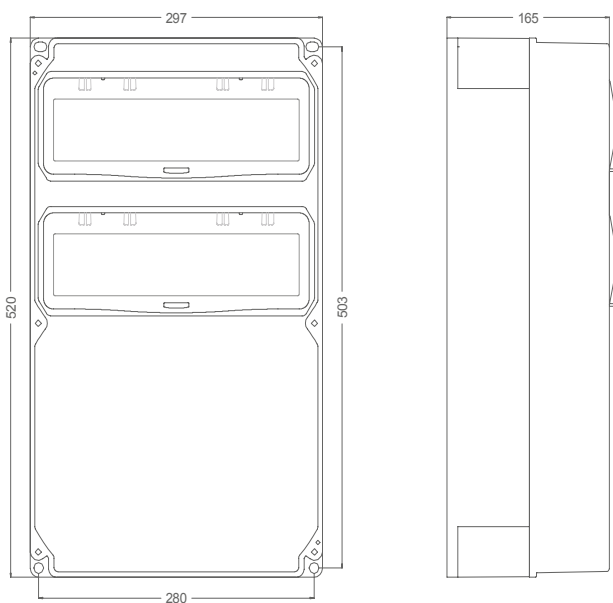
Sölden straight 14 modules



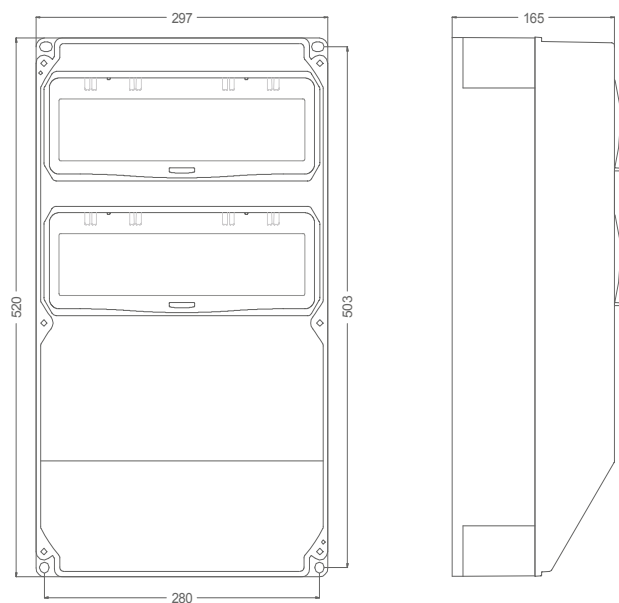
Sölden sloping 14 modules



Sölden straight 2x14 modules (IP54) 2x13 modules (IP66/67)



Sölden sloping 2x14 modules (IP54) 2x13 modules (IP66/67)



TECHNICAL INFORMATION

Hinged window IP66/67



HINGED WINDOW – FUSE WINDOW

- especially compact (robust) design, made of shock-resistant polycarbonate
- self-closing window
- suitable sizes: 2, 4, 5, 6, 8, 10, 13, 18 modules (17,5 – 18 mm each)
- intermediate sizes on request!
- mounting frame made of shock-resistant polycarbonate with integrated gasket for flange mounting
- all metal parts corrosion-resistant
- protection degree IP66/67

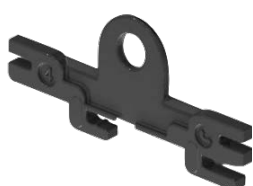
Hinged window IP54



HINGED WINDOW – FUSE WINDOW

- especially compact (robust) design, made of shock-resistant polycarbonate
- suitable sizes: 4, 6, **7***, 8, 9, 10, **11***, 12, 13, **14***, 18 modules (17,5 – 18 mm each)
- bearing by means of double hinges
- angle of vee > 180°
- mounting frame made of shock-resistant polycarbonate with integrated gasket for flange mounting
- all metal parts corrosion-resistant
- transport and installation protection of the window with peel back foil
- integrated free position for lead seal
- window holder included
- protection degree IP54

*) new sizes



WINDOW HOLDER:
(standard colour: black)
Also possible to order separately.

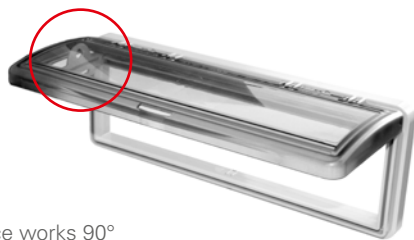


Example of use:
for fit-up aid

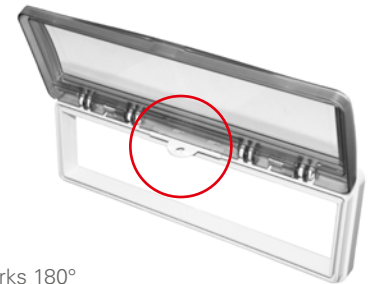


Example of use:
receptacle – padlock

TECHNICAL INFORMATION



Example of use:
window holder for service works 90°



Example of use:
window holder for service works 180°



WINDOW HANDLE
For hinged window IP54 - easy opening of the window.



Example:

Technical specifications of the empty enclosure

according to IEC/EN 62208 „Empty enclosures for low-voltage switchgear and control gear assemblies“ for use in switchgear and control gear assemblies according to standards of the series EN 60439, EN 61439 with a max. rated voltage of 1000V AC, at max. frequencies of 1000Hz or 1500V DC, for general use indoors or for outdoor installation.

- Marking of the plastic parts with regard to future recycling or disposal in accordance with ISO 11469
- Heat dissipation: 15W to 65W with surface mounted wall mounting as single enclosure
- Ambient temperature, max. +40°C (+35°C 24h) and -25°C.
- Relative air humidity may temporarily be up to 100 % at +25°C
- Suitable for outdoor installation
- Special operating conditions must be agreed between PCE and the operator
- Transport and storage -25°C to +55°C and up to max. 24h +70°C
- See page 25 -29 for dimensions sketches
- Wall mounting can be accessed from outside using screws or inside using an insulation cover
- Bearing capacity of the DIN-rail: 8 to 10 kg
- Degree of protection IK08 and IK09 according to IEC/EN 62262 or IEC/EN 50102
- Protection degree IP54 and IP66/67 according to IEC/EN 60529
- Excellent pull-out forces of the metal insertion parts
- Heat resistance according to IEC/EN 60068-2-2; 7 days at +70°C;
- Resistance against heat using the ball pressure test at +70°C and for 1 hour
- Resistance of insulation materials against exceptional heat and fire according to IEC/EN 60695-2-10, -11; Glowing/hot-wire temperature of 750°C and self-extinguishing HB according to UL94
- Insulation resistance at 3,750V~ 1min.
- UV and weather resistance according to ISO 4892-2

PCE

Connection
to the future



www.pcelectric.at

PC Electric GesmbH

Diesseits 145

4973 St. Martin im Innkreis

AUSTRIA

TEL +43 7751 61220

FAX +43 7751 6969

office@pcelectric.at