

PCE

Connection  
to the future

MOBILE,  
THERMOPLASTIC  
DISTRIBUTION BOX

HORN



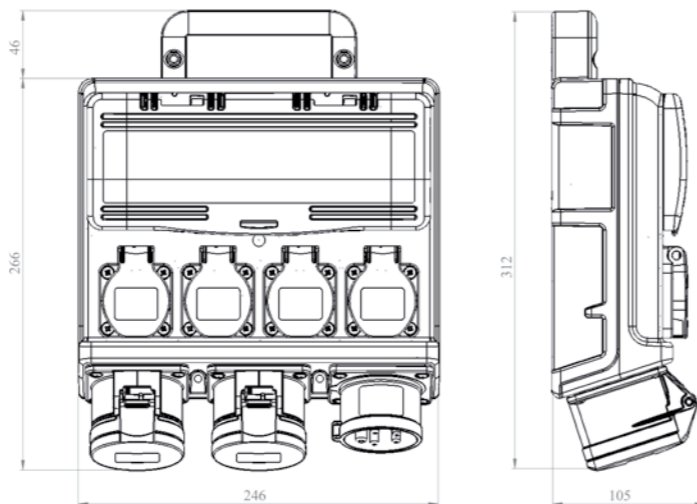
made in austria

# HORN

## MOBILE DISTRIBUTION BOX

... ALSO FOR  
WALL ASSEMBLY

- **Compact design**
- High-quality plastic material: **PC/ABS**
- **IP44** splashproof
- **Up to 12 modules under window**
- Usable as **mobile distribution box**
  - for wall assembly (4 fixing holes)
  - with stand support (insert- and screwable)
- **Combination options:**  
16A 3p to 32A 5p CEE-sockets, a variety of schuko and similar sockets, fused or non-fused
- **Many different fields of application:**  
from practical construction site distribution box to the distribution box for events, as well as in workshops or for domestic use
- **Entries:**  
cable glands or CEE-plugs 16A or 32A
- **Outlets:**  
CEE-sockets up to 32A, schuko sockets (according to Austrian/German, Belgium/French, Danish, English or Swiss standards)



- Thermoplastic insulated distribution box with carrying handle
- Window for 12 modules
- IP44 splashproof
- Suitable for construction sites, workshops, agriculture, domestic, industry, commercial and for events
- Housing colour: light grey

... OR WITH  
STAND SUPPORT

Cat.No.	Version	
9004001 without stand support	2 CEE-sockets 16A 5p 400V 4 sockets (DIN 49440) 16A 250V 2 MCBs 16A 3p C 2 MCBs 16A 1p C 1 RCD 63/4/0,03A - over all outlets 1 CEE-plug 32A 5p 400V	
9004006 without stand support	2 CEE-sockets 16A 5p 400V 4 sockets (DIN 49440) 16A 250V 1 RCD 40/4/0,03A - over all outlets 1 CEE-plug 16A 5p 400V	unprotected unprotected
9004002 with stand support	1 CEE-socket 32A 5p 400V 1 CEE-socket 16A 5p 400V 4 sockets (DIN 49440) 16A 250V 1 MCB 16A 3p C 4 MCBs 16A 1p C 1 RCD 63/4/0,03A - over all outlets 1 CEE-plug 32A 5p 400V	unprotected
9004004 without stand support	2 CEE-sockets 16A 5p 400V 4 sockets (DIN 49440) 16A 250V 2 MCBs 16A 1p C 1 CEE-plug 16A 5p 400V	unprotected
900404	accessories: stand support incl. screws	



accessories:  
stand support

The logo consists of the letters 'PCE' in a bold, white, sans-serif font, centered within a solid red rectangular background.

PC ELECTRIC Ges.m.b.H.

A-4973 St. Martin/Innkreis  
Diesseits 145  
AUSTRIA - EUROPE  
Tel. +43 / 7751 / 61220  
Fax +43 / 7751 / 6969  
e-mail: [office@pcelectric.at](mailto:office@pcelectric.at)  
[www.pcelectric.at](http://www.pcelectric.at)